

Minor Surgery Light SL720 LED



DARAY[®]
Medical

Committed to excellence

SL720

The **DARAY**® SL720 is the latest addition to our range of minor surgical lighting. Designed with a cost effective, low profile emphasis; This entry level LED solution is suitable for multiple minor surgical environments including health centres, GP surgeries, maxillofacial departments and even within casualty or intensive care.

Designed for use in minor procedures under local anaesthetic the SL720 provides clean accurate light where it's needed. This light also features variable colour temperature adding incredible versatility in a small package.

The wall and ceiling editions of this light come on spring balanced arms with a large range of movement as standard. Combined with great shadow reduction technology the SL720 will keep you focused on your patients not your equipment.

This light runs off a low 24V making it very eco-friendly. Combined with reduced operating costs from typical Halogen units and a significant lifespan. The SL720 will save you time, money and effort.



Features

- Variable intensity
- Variable colour temperature
- Removable, autoclavable handle
- Balanced arms for one touch adjustment and a great range of movement.
- Ideal for minor surgery and gynaecological procedures
- Easily accessible control panel on the side of the light head to allow simple adjustment of the light intensity and colour temperature.

Environmentally friendly features

- LED technology costs up to 75% less to run than halogen
- 50,000 hours of life from the LED light engine *
- No more bulbs to change - reduces waste by 95% over the light's lifetime
- Metal arm system, hardwearing and can be fully recycled
- No halogen, mercury, cadmium, lead or CFCs. No chemicals harmful to the environment.

*Based on 5.5 hours use per day

DARAY®
Medical

Committed to excellence



SL720 Ceiling mount



SL720 Wall mount



SL720 Mobile Mount



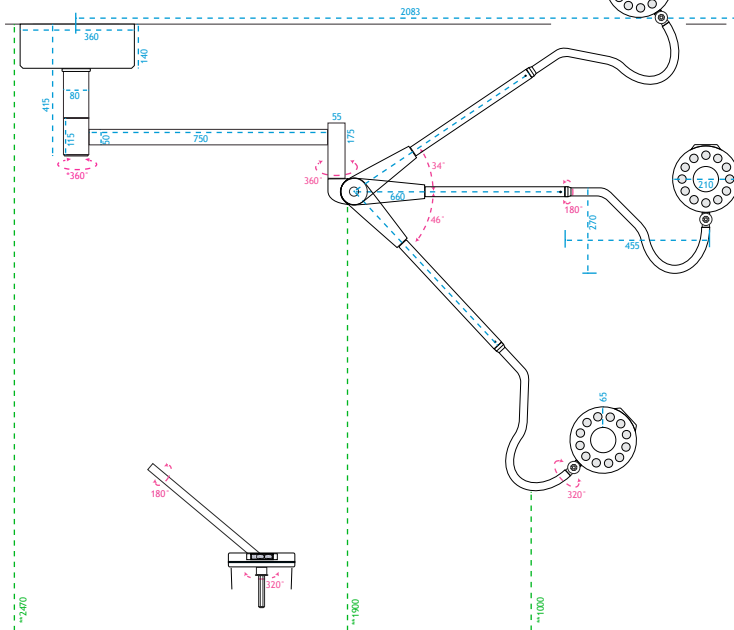
Products available

SL720LC	DARAY SL720 LED ceiling mounted minor surgical light
SL720LW	DARAY SL720 LED wall mounted minor surgical light
SL720LFM	DARAY SL720 LED flexible mobile mounted minor surgical light
SLBB24	Battery back-up options available, please call
Bespoke solutions available, please call	

www.daray.com

Tel: 0800 804 8384 Email: info@daray.co.uk
Marquis Drive, Moira, Swadlincote DE12 6EJ

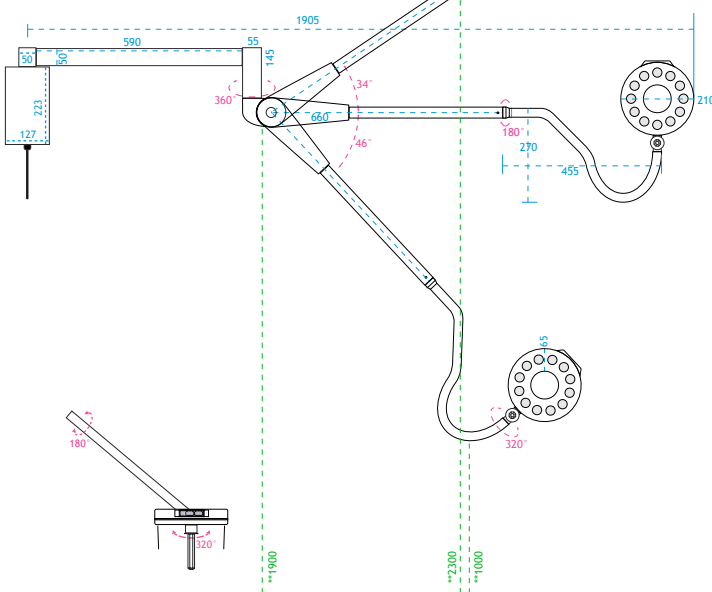
SL720 LED Ceiling Mount



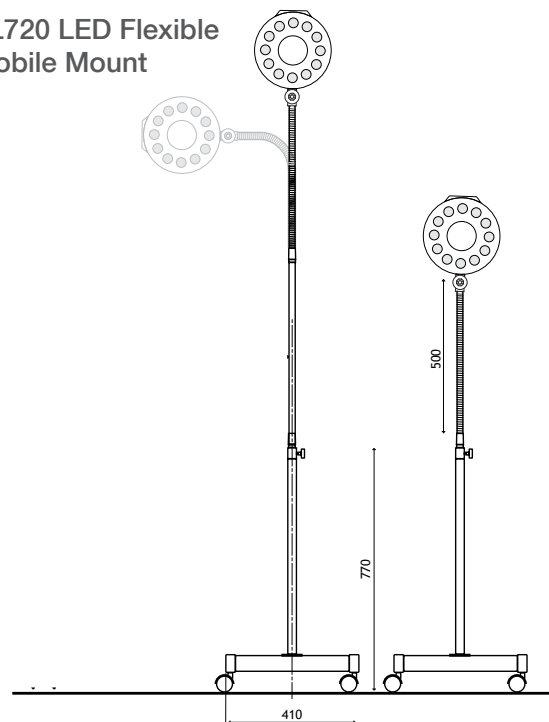
Specifications

Light Intensity (Lux) @ 0.75m	77,000 Lux ±5%
Light Intensity (Lux) @ 1.0m	50,000 Lux ±5%
Colour Temperature (Kelvin)	3,600 - 5,500K (adjustable)
Colour Rendering Index (CRI)	93
Colour Rendering (R ₉)	90
Light Field Diameter (D ₅₀)	@ 0.75m: 150mm @ 1.0m: 190mm
Diameter of Lighthouse	210mm
LED Power	1W x 12
Power Consumption	30W
Average Working Life	>50,000 Hours
Output Voltage	30V DC 1A
Input Voltage	100 - 240V AC 50/60Hz

SL720 LED Wall Mount



SL720 LED Flexible Mobile Mount



ABOUT DARAY

DARAY have been established in the medical, dental and veterinary markets since 1968 building exceptional and durable products. We shall continue to innovate; aiming to excel in our endeavours to deliver reliable solutions.



DARAY[®]
Medical

Committed to excellence

www.daray.com

Tel: 0800 804 8384 Email: info@daray.co.uk
Marquis Drive, Moira, Swadlincote DE12 6EJ