

**CIBSE**

LIG054  
LIG058  
LIG910  
LIG9004

**DARAY**<sup>®</sup>  
Medical

Product Datasheet

# Examination Light

# X200 LED



## Introduction

The X200 LED Examination Light is designed specifically for use during medical consultation and diagnosis. Utilising LED technology, this general examination light has been developed to provide an intense beam with excellent colour rendering properties.

The X200 LED forms part of the **X200 LED Range**, which comprises the following models: X200, X210, X230, X240. All models in the X200 LED Range offer identical light output, though with differing mounting/wiring options:  
**X200** - Same as X240, though with a flexible 'gooseneck' instead of the articulated (spring-balanced) arm.  
**X210** - Available as a wall/rail mount solution with an integrated transformer, to be hardwired.  
**X230** - Provides a panel mount bracket and an angled neck for mounting to bed-head trunking, to be hardwired.  
**X240** - Same as X200, though with an articulated (spring-balanced) arm instead of the flexible 'gooseneck'.  
**Datasheets are available for each model in this Range.**

## Standard Features

- World-renowned LED technology
- Variable intensity
- Flexible gooseneck for versatile movement and solid positioning
- Excellent colour rendering - for totally natural skin tones
- BioProtect® anti-microbial coating to assist in infection control
- Fully positionable light head
- Various mounting options available
- Energy-efficient, environmentally friendly, and a fully recyclable product

## Available Options

X200LW	DARAY X200 LED wall mounted examination light
X200LR	DARAY X200 LED rail mounted examination light (rail sold separately - see XRAIL below)
X200LD	DARAY X200 LED desk clamp examination light
X200LDS	DARAY X200 LED desk stand examination light
X200LFDM	DARAY X200 LED fixed desk mount examination light
X200LM	DARAY X200 LED mobile examination light
XRAIL	1m Medical Rail for mounting X200LR (includes wall fixings)
XBB12	Battery back-up options available, please call
Bespoke solutions available, please call	

# Technical Specifications

Light Source	LED
Light Intensity (Lux) @ 0.5m	32,000 Lux $\pm$ 5%
Light Intensity (Lux) @ 0.75m	14,000 Lux $\pm$ 5%
Light Intensity (Lux) @ 1.0m	8,000 Lux $\pm$ 5%
Light Intensity Adjustment Range	10 - 100%
Colour Temperature (Kelvin)	4,300K $\pm$ 500
Colour Rendering Index (CRI)	95
Colour Rendering (R9)	88
Light Field Diameter (D50)	@ 0.5m: 120mm
	@ 0.75m: 135mm
	@ 1.0m: 180mm
Light Field Diameter (D10)	@ 0.5m: 230mm
	@ 0.75m: 325mm
	@ 1.0m: 460mm
Number of LED's	3
Power Consumption	12W 0.1A
Average Working Life	>50,000 Hours
Input Supply Rating	100 - 240V AC 50/60 Hz
Output Supply Rating	12V DC 1A
Temperature Rise on Patient/User	$\leq$ 2°C
Warranty Period	5 Years
NHS E-Class Code	FBU, FKR
Commodity Code	9018 908400
GMDN Code	12276

## Notes

The X200 has a low 'total cost of ownership', costing up to 75% less to run than equivalent halogen lights. This light has around 50,000 hours of life from the LED light engine equating to around 25 years of clinical use (based on 5.5 hours clinical use per day).

This model requires minimal maintenance and has a smooth, fully enclosed BioProtect® head to assist with the management of infection control. This is an ideal light for GP surgeries and clinics where flexibility and performance are crucial. Choose between many different mounting types dependant on your application, including: wall, mobile, and desk mounting options.

## Medical Approvals/Certificates

The product(s) on this datasheet adhere to the following standards in line with the 93/42/EEC Medical Devices Directive - Classification: Class 1, Rule 1.

EN 13485

EN 14971

EN 9001

EN 60601-1

2014/35/EU Low Voltage Directive

EN 60601-1-2

EN 60601-1-6

EN 60601-2-41

EN 1041

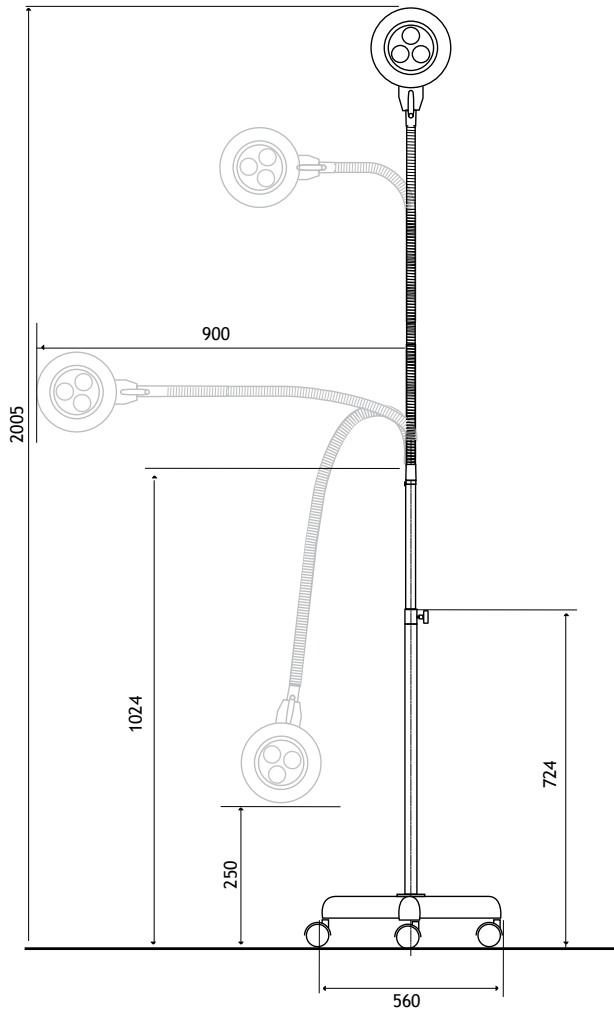
EN 60598-2-25

# Technical Drawings

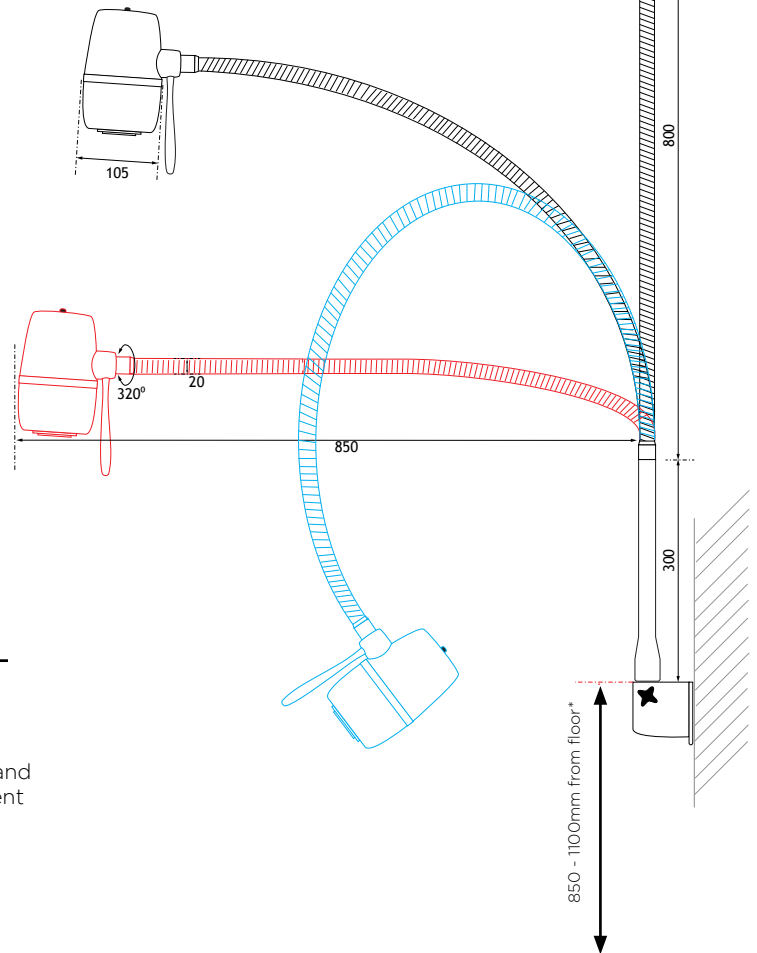


(UK Customers only)

## X200 LED Mobile



X200 LED Wall Mount  
Same dimensions apply for all other versions



\*Recommended mounting height shown is for all wall and rail mount versions. Actual location should be dependent on intended use and desired reach.

Common sense should always prevail.

## Mounting Options

These are DARAY's standard mounting options, and are all **interchangeable**.



If you are looking for a hardwired version of the X200; see the Datasheet for the X210 model.

# Image Gallery

