

DARAY[®]

HEALTHCARE PRODUCTS



AURALITE

INSTALLATION AND OPERATING MANUAL

FOR WALL, CEILING AND UNIT MOUNTED AURALITE MODELS

DARAY[®]

HEALTHCARE PRODUCTS

1. GENERAL DESCRIPTION	4
2. SPECIFICATION	5
3. INSTALLATION	6
3.1 UNIT MOUNT	6
3.2 CEILING MOUNT	6
3.3 WALL MOUNT	7
4. OPERATION	9
5. MAINTENANCE	10
5.1 CLEANING	10
5.2 ANNUAL MAINTENANCE	10
5.3 ARM BALANCE ADJUSTMENT	10
5.4 HEAD ANGLE ADJUSTMENT	11
6. LAMP REPLACEMENT	12
RETURNS POLICY	13
WARRANTY	14
WARRANTY REGISTRATION	15

Tel: 0844 375 9000 Fax: 0333 321 0973
email: info@daray.co.uk url: www.daray.co.uk

1. GENERAL DESCRIPTION

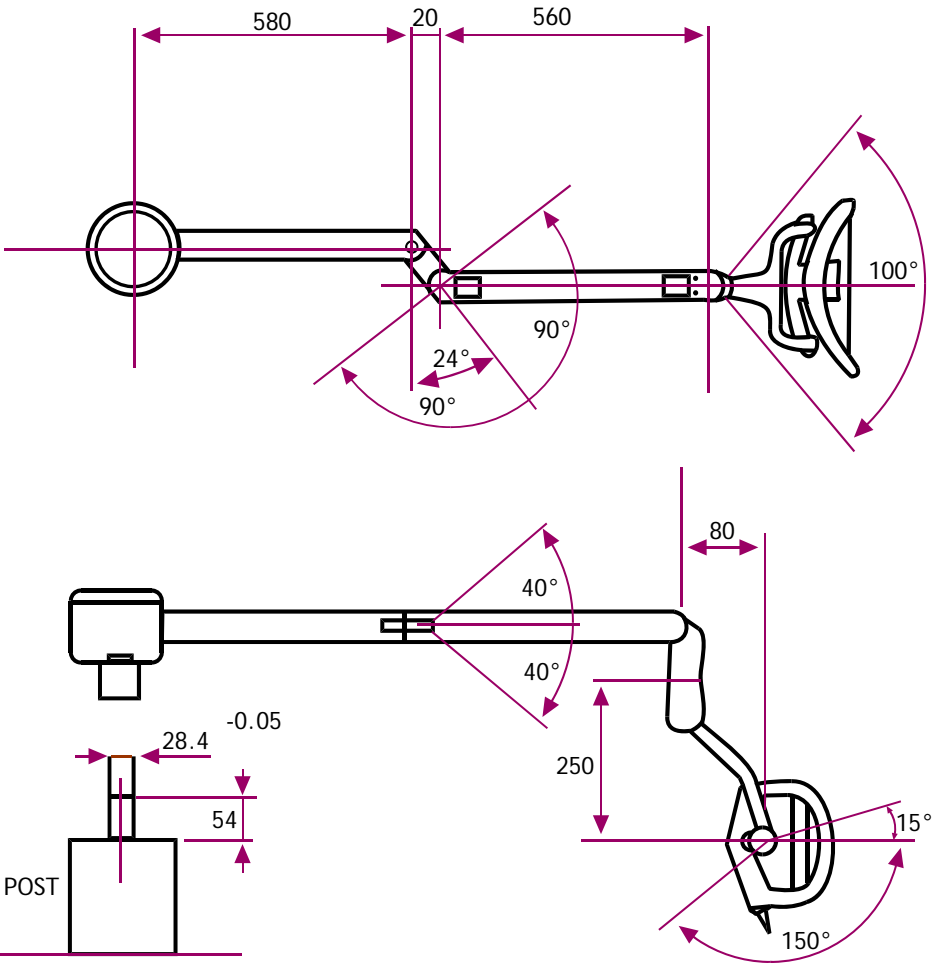
Daray's AURALite is a highly cost-effective dental light which employs a sophisticated reflector to generate a light output of the right colour to make colour tones look natural. This dichroic reflector allows infrared (heat) and ultraviolet to pass harmlessly through the back of the light housing.

The light is easily cleaned, has a switched, dual-intensity output, and is mounted on a stable yet smooth operating suspension arm. A transformer is housed in the arm to power the light head from a safe low voltage. The arm swivels on a fitting at the base of the transformer housing which mates with the ceiling mounting, wall mounting or an adaptor for unit mounting, as appropriate.

2. SPECIFICATION

Output intensity	High setting 20,000 lux
	Low setting 10,000 lux
Colour temperature	4,500 K
Patch size at 725mm	170mm X 75mm
Input voltage	230V, 50 Hz
Lamp	Tungsten Halogen 12V-55W DRK7010
Colour	RAL 9016 white

Dimensions



3. INSTALLATION

3.1 Unit Mount.

An adaptor, D14439, is available to interface between the base of the arm's transformer housing and the unit light post. The mains voltage flex cable from the transformer input passes through the adaptor and the unit light post for connection to the mains supply under the chair.

Fit the light head to the arm by mating the electrical connector (the 2 parts will only fit one way), slackening the screw at the rear of the jib end, sliding the light head fitting into the jib end and tightening the screw into the groove in the head fitting - see diagram, below. Rebalance the jib arm, as necessary, in accordance with the instructions below, turn on the mains isolator and check the light functions correctly.

3.2 Ceiling Mount.

CAUTION: This product is should only be installed by professionally trained electro-mechanical engineers.

CAUTION: This product must be earthed.

Ceiling plate preparation

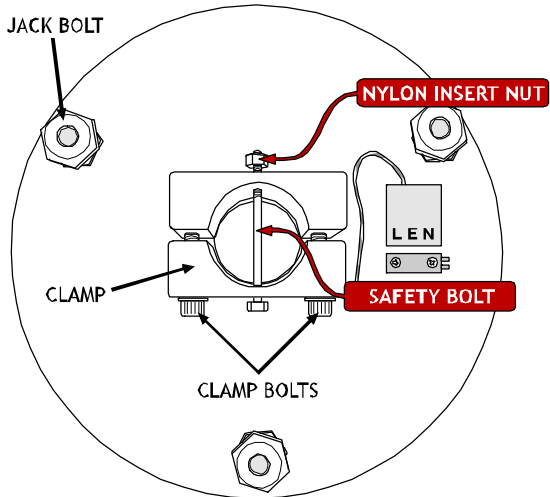
Remove the clamp bolts, safety bolt/nylon insert nut and the clamp. Keep these parts in a safe place for use later.

Fix the plate to the ceiling with bolts, screws or studs and nuts through the centre of each jack bolt. Do not fully tighten the fasteners at this point.

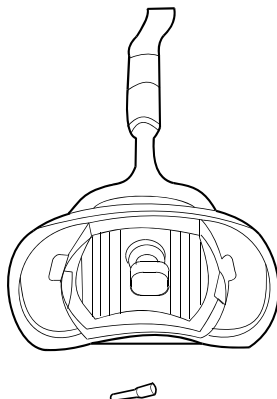
Note: If necessary, fit spacers above the plate to allow the mains cable to pass through.

The jack bolts are used to level the ceiling plate and down-tube.

Note: The nuts thread-locked to the upper end of the 3 jack bolts act as pressure pads. These pressure pads must be seated firmly against the mounting surface.



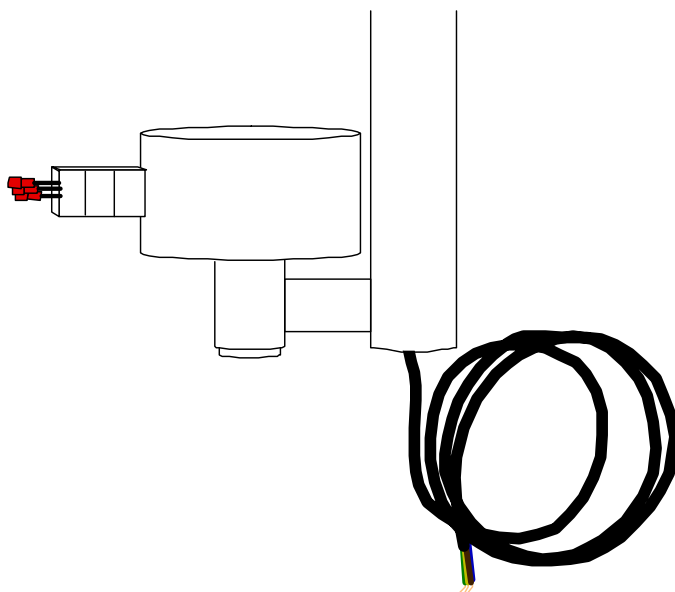
CAUTION: the arm is disassembled to allow it to be packed. Support the arm and remove it carefully from its packaging to avoid damaging its wiring.



CAUTION: do not loose this switch extension

Fitting the down-tube

A 1 or 1½ metre length of down-tube is included (with the transformer housing fitted), and must be securely fitted in accordance with these instructions.



The down-tube should be cut to size on-site so that, when fitted, the arm and light-head are in the required position for the particular application.

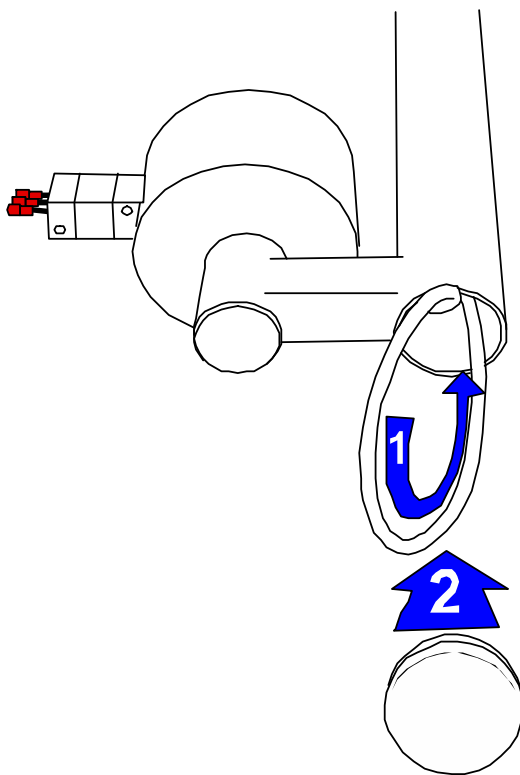
Note: When installed the down-tube must leave clearance above the ceiling mount plate to prevent the cable being trapped.

Only shorten the down-tube from the end without 3 mounting holes.

De-burr the down-tube cut.

Loosely refit the clamp and clamp bolts. Fit the down-tube in the clamp, rotate it such that the arm movement will cover the required area and tighten the clamp bolts to firmly hold it in place.

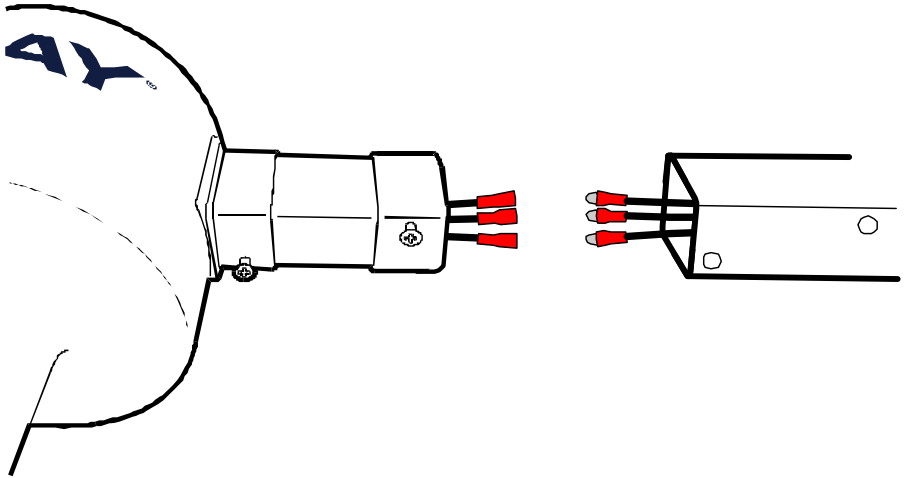
Drill a 6mm hole completely through the tube via the guide holes in the clamp and fit the safety bolt and nylon insert lock nut supplied.



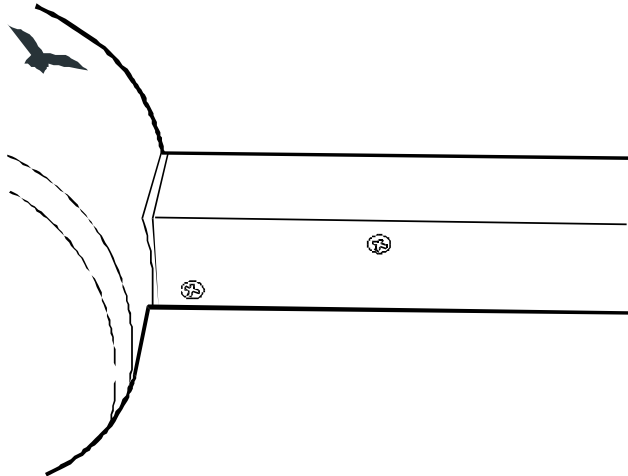
Uncoil and feed the supply cable up the tube (1) and fit the supplied bung in the bottom of the down-tube (2). Connect the cable to the terminal block on the ceiling plate.
Brown=Live. Blue=Neutral. Green/yellow=Earth.

Fitting the arm

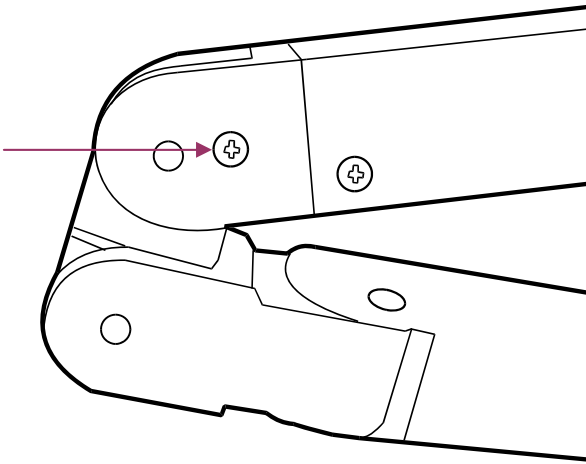
Remove the 2 'parked' screws from the transformer housing. While supporting the arm, connect the transformer cables to the arm cables, matching the colours.



Fit the transformer housing to the arm, making sure not to pinch the cables, and refit and tighten the 2 screws.



Fit the light head to the arm by mating the electrical connector (the 2 parts will only fit one way), slackening the screw at the rear of the jib end, sliding the light head fitting into the jib end and tightening the screw into the groove in the head fitting.



Rebalance the jib arm, as necessary (see section 5).
Provide a mains electrical supply with an earth connection to the ceiling-mount terminal block. This supply should be fed via a switched, fused spur, so it can be isolated.

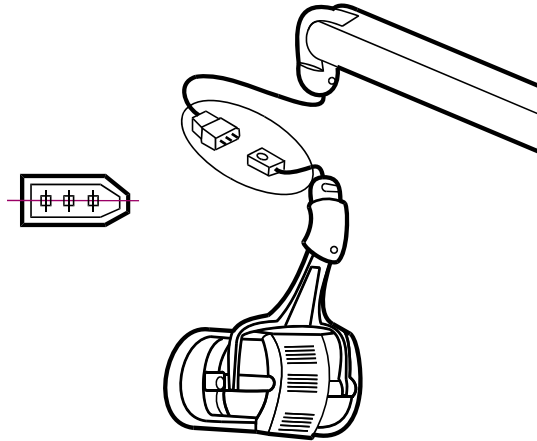
Turn on the mains isolator and check that the light functions correctly.

3.3 Wall Mount.

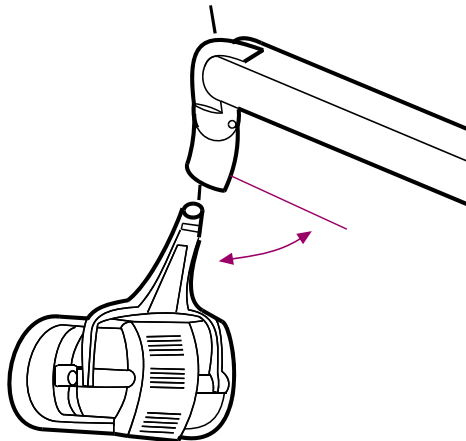
Determine where the wall-mount bracket should be fitted to allow the light head to be positioned correctly above the chair.

Provide a mains electrical supply with an earth connection adjacent to the wall-mount bracket position. This supply should be fed via a switched, fused spur connection unit, so it can be isolated. Alternatively, the light may be plugged into a 13A socket via the flex and moulded plug provided.

Fit the wall-mount bracket to the wall, ensuring it is rigidly mounted and level.



Fit the light head to the arm by mating the electrical connector (the 2 parts will only fit one way), slackening the screw at the rear of the jib end, sliding the light head fitting into the jib end and tightening the screw into the groove in the head fitting.



Rebalance the jib arm, as necessary, in accordance with the instructions below, turn on the mains isolator and check the light functions correctly.

4. OPERATION

Turn on the mains isolator, or plug in and switch on the 13A socket, depending on the type of installation. Turn the light on using the switch under the light head. This switch has 3 positions: centre; off, left; higher output intensity, right; lower output intensity. The lower output intensity may be required to avoid composites being cured too quickly.

5. MAINTENANCE

5.1 Cleaning

CAUTION: do not use strong disinfectant agent such as 'Dettol' to clean the light. Do not use any abrasive cleaning agent. The light is not waterproof.

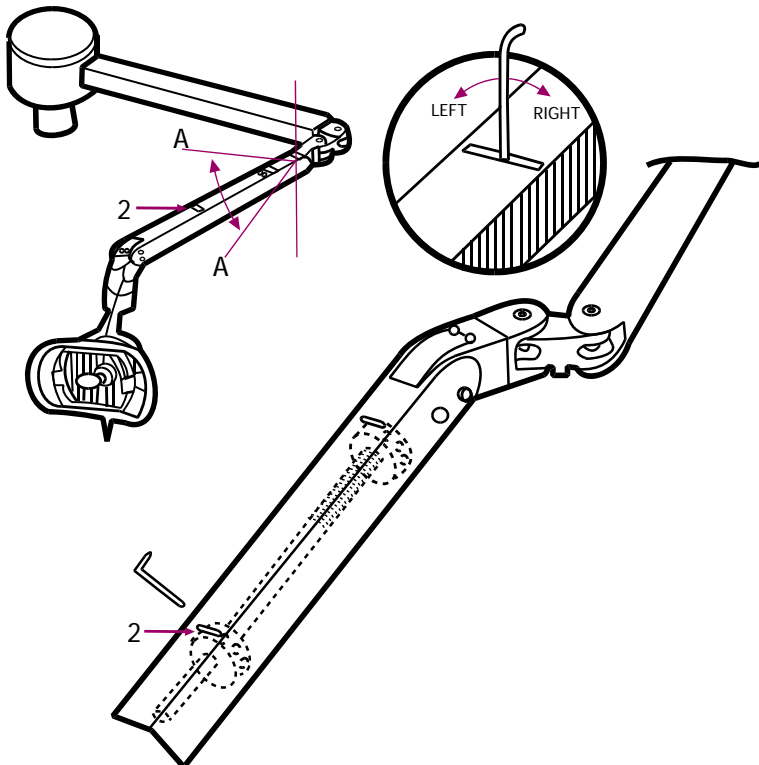
Using a soft cloth or cotton wool dipped in alcohol; wipe clean both sides of the front cover. Clean both surfaces of the reflector using a soft damp or dry cloth. Extreme care should be taken not to scratch the surface.

5.2 Annual Maintenance

Apply a small amount of light oil to the pivot points.

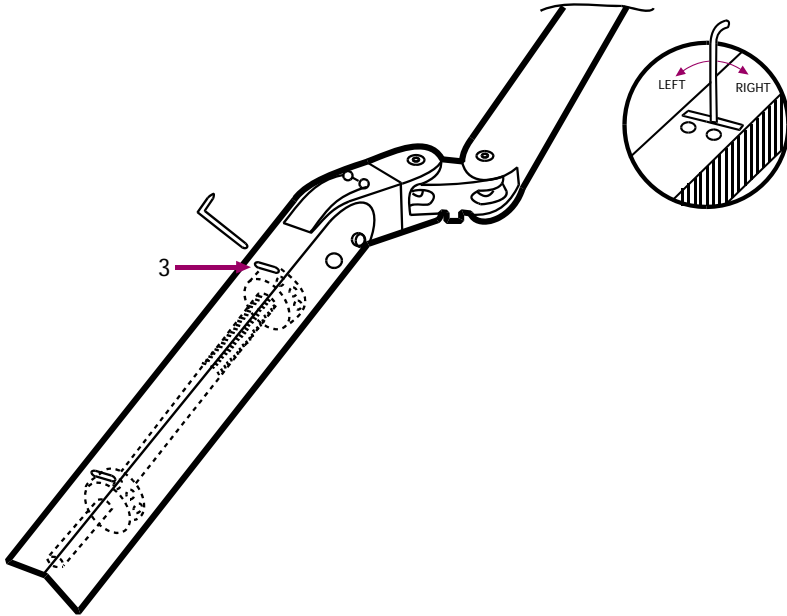
Check that the arm moves smoothly. Remove the plastic cap and adjust the screw inside, as necessary, as shown in the diagram below.

5.3 Arm Balance Adjustment

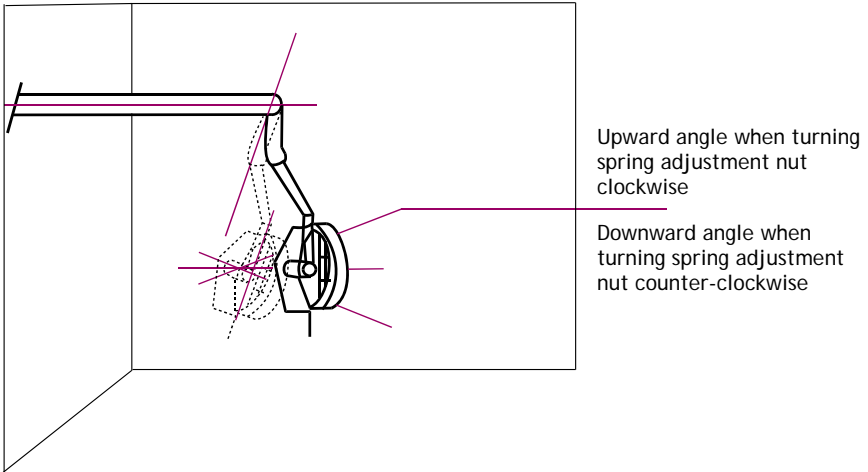


Insert an hex wrench into slot 2, as shown. Turn the spring-adjustment nut clockwise for more tension; counter clockwise for less tension.

5.4 Head Angle Adjustment



Insert an Allen key into slot 3, as shown below. Turn the spring adjustment nut clockwise to change the head tilt angle.

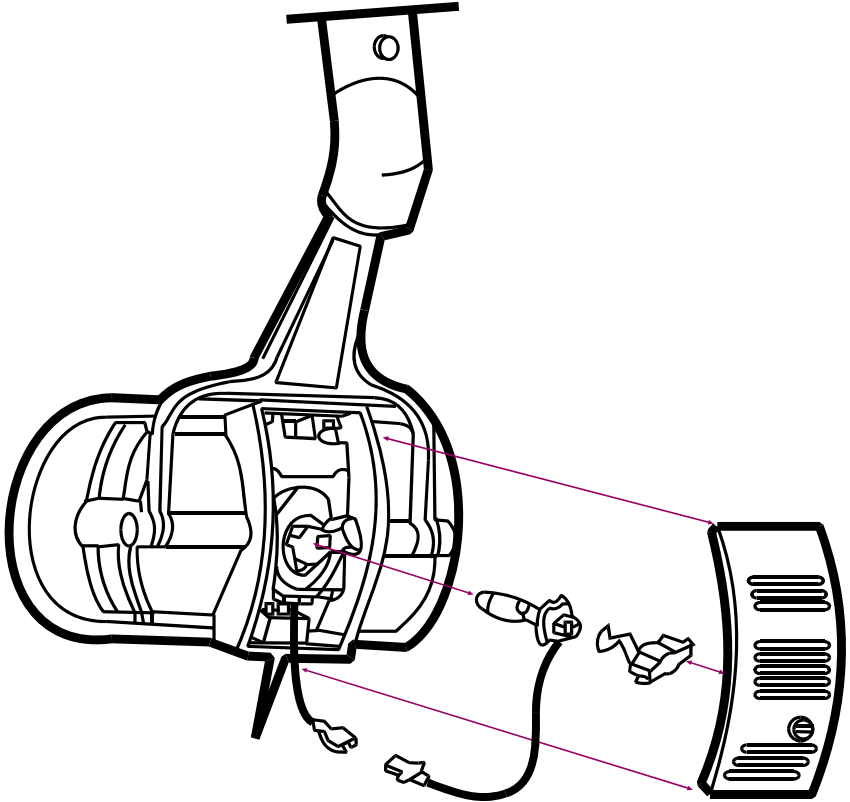


6. LAMP REPLACEMENT

CAUTION: use only genuine Daray replacement lamps to preserve the performance of your light.

CAUTION: the inside of the light will be extremely hot, if it has recently been used.

CAUTION: do not touch the quartz envelope of new lamps with bare fingers.



Turn the light off at the mains and remove the back cover. Push in and turn the spring clip counter clockwise and remove the spring assembly. Remove the defective lamp by pulling it from its housing. Disconnect the wire connector. Fit a replacement lamp by reversing the above procedure.

Returns Policy

IMPORTANT!

Before returning your item, you must call us on 0844 375 9000

We want you to be completely satisfied with your purchase. If you need to return goods purchased from DARAY Ltd, please read the following information carefully.

The DARAY Ltd returns policy provides guidance on when you can return goods we have supplied, and what you can expect from us once you do. To see our detailed returns policy and procedure visit www.daray.co.uk/returns

TYPE OF RETURN	REMEDY
DAMAGED GOODS OR DOA* Goods which are physically damaged on delivery, or which do not function.	We must be notified within 24 hours of receipt.
GOODS DEVELOPING A FAULT Goods which have developed a fault within the warranty period.	Within 14 days of delivery we will replace the item as DOA*. If the fault develops after 14 days, but within the warranty period, we will initiate the returns procedure.
NON WARRANTY Goods which have developed a fault outside the warranty period.	If a fault develops outside the warranty period, we will initiate the returns procedure.
OTHER Any situation which is not covered by the above.	We will try to help, but we cannot normally offer a refund.

*DOA - dead on arrival

For additional clarification, please refer to our terms and conditions at www.daray.co.uk/terms.

In a small number of cases, we may determine that a replacement would not work any better than the original product we supplied. In such cases we will only offer a refund rather than a replacement for qualifying returns.

Replacement bulbs are not eligible for returns, unless they are faulty or damaged.

Spare parts ordered on our website or from supplied part codes are not be eligible for credit. We will accept returns and exchange for the correct item.

If you purchase an item incorrectly you can return it within 14 days and it can be exchanged for another product of equal or higher value, excluding transportation charges incurred.

If you send us goods that do not qualify for return, you will invalidate your claim to any refund, and you will be obliged to compensate DARAY Ltd for the cost of return postage and any other reasonable costs incurred processing the goods.

Your statutory rights are not affected

WARRANTY

TERMS AND CONDITIONS OF WARRANTY

1. To qualify for this warranty you must register on www.daray.co.uk or return to Daray Ltd (Daray) the duly completed warranty-registration form accompanying the product.
2. Daray warrants this product (excluding lamp) against faulty material and workmanship during the period of the warranty. The period of warranty is the period stated on your warranty card and commences on the date of purchase of the product. In the event that the product is not in good working order Daray will provide, during the warranty period, a free repair service within the United Kingdom. The warranty is subject to proof of purchase being provided; therefore, you should retain your original receipt.
 - 2.1 The repair service consists of the provision of spare parts and/or replacement products (at Daray's discretion) which will be provided on an exchange basis and will either be new, equivalent to new or reconditioned. All replaced spare parts and products shall become the property of Daray.
 - 2.2 Daray's only obligation under this warranty is the provision of the service as set out above.
 - 2.3 All products are returned to Daray at the customer's cost and risk. Products to be returned should be adequately packed. For the address to send returns to please visit www.daray.co.uk
3. Daray's arrangements for providing service provided under this warranty may include the use of sub-contractors.
4. This warranty does not cover damage or defects in the Product caused by or resulting from:
 - Wilful neglect or negligence by anyone other than Daray;
 - Improper use, storage or handling of the product;
 - Use of non-Daray approved parts (such as replacement lamps) not compatible with the Product;
 - Fire, accident or disaster;
 - Use of non-Daray modifications other than in accordance with Daray's instructions;Attachment of fittings and accessories not approved by Daray;
Repairs, modifications carried out by service personnel not approved by Daray;
 - Damage caused by chemical corrosion from cleaning agents not approved by Daray.
 - Failure to use or install the product in accordance with the manufacturer's instructions.
5. Nothing in this warranty shall have the effect of restricting or excluding the liability of Daray in respect of:
 - a) Death and personal injury caused by the negligence of Daray, or for fraud;
 - b) Under the *Consumer Protection Act 1987* to a person who has suffered damage caused by a defective product or to a dependant or relative of such a person;
 - c) Direct damage to your property caused by the proven negligence of Daray.
6. This agreement does not give any rights other than those expressly set out above and in particular, Daray will not be responsible for any loss of income, profits or contracts or any direct or indirect consequential loss, damage caused to or suffered by the purchaser as a direct result of this agreement.
7. This warranty is offered (subject to these terms and conditions) in addition to, and does not affect your statutory rights.
8. Daray may disclose your details and other personal information to companies within the Daray group including any subsidiary company or sub contractor of Daray for the purposes of performing our obligations hereunder.
9. You must not resell outside the UK any products supplied by Daray and covered by the *Export of Goods (Control) Order 1992* (or any law that replaces it) without obtaining all necessary licences. You also agree not to sell the product in the UK if you know or think that the person buying the product intends to export it without getting the necessary licences. You agree to impose similar conditions to these on anyone you sell the product to.
10. These conditions shall in all respect be governed and construed in accordance with English law and the exclusive jurisdiction of the English courts.

DARAY[®] HEALTHCARE PRODUCTS

WARRANTY REGISTRATION
TO VALIDATE YOUR WARRANTY
PLEASE COMPLETE IN BLOCK CAPITALS
AND RETURN IN A WINDOWED DL ENVELOPE
TO OUR FREEPOST ADDRESS

ALTERNATIVELY REGISTER ONLINE AT WWW.DARAY.COM



3 YEAR AFTERCARE PLAN

NAME:	
COMPANY:	
EMAIL:	
PHONE:	
FAX:	

ADDRESS:

--

PURCHASED FROM:

--

DATE OF PURCHASE:

--

Freepost Plus RRAS-YGXE-SLBC
Daray Ltd
Marquis Drive
SWADLINCOTE
DE12 6EJ

Occasionally DARAY would like to send you information about our special offers and promotions. If you do not wish to receive such information, please tick here:

Privacy statement: DARAY will not pass on your details to any third party.

PRODUCT:
SERIAL No:



Marquis Drive · Moira · Derbyshire · DE12 6EJ
Tel: 0844 375 9000 · Fax: 0333 321 0973
info@daray.co.uk · www.daray.co.uk